



WIPO | HAGUE

The International
Design System

INTERNATIONAL REGISTRATION CERTIFICATE

The International Bureau of the World Intellectual Property Organization (WIPO) hereby certifies that the particulars given below correspond to the recording made in the International Register of Industrial Designs, at the date of the international registration, under the Hague Agreement Concerning the International Registration of Industrial Designs.

Registration number **DM/096 406**

Date of the international registration **11.05.2017**

Filing date **11.05.2017**

Name and address of holder **KYOCERA CORPORATION**
6, Takeda Tobadono-cho,
Fushimi-ku,
Kyoto-shi,
Kyoto 612-8501 (Japan)

Name and address of holder **KYOCERA OPTEC CO., LTD.**
3-1778, Osoki,
Ome-shi,
Tokyo 198-0003 (Japan)

Contracting Party of which the holder is a national **Japan**

Contracting Party of which the holder has a domicile **Japan**

Contracting Party of which the holder has an industrial or commercial establishment **Japan**

Contracting Party in which the holder has a habitual residence **—**

Applicant's Contracting Party **Japan**

Name and address of the representative **SUGIMURA Kenji**
36F, Kasumigaseki Common Gate West tower,
3-2-1, Kasumigaseki,
Chiyoda-ku,
Tokyo 100-0013 (Japan)

Name and address of creator of designs **Takaharu FUJII, c/o KYOCERA OPTEC Co., Ltd. 3-1778 Osoki, Ome-shi, 198-0003 Tokyo, Japan; Takashi SAOTOME, c/o KYOCERA OPTEC Co., Ltd. 3-1778 Osoki, Ome-shi, 198-0003 Tokyo, Japan**

Number of designs included in the international registration **2**

Locarno Classification **Cl. 24-02**

Indication of products **1. Trocar; 2. Handle for trocar.**

Description **The broken lines in the views form no part of the claimed designs.**

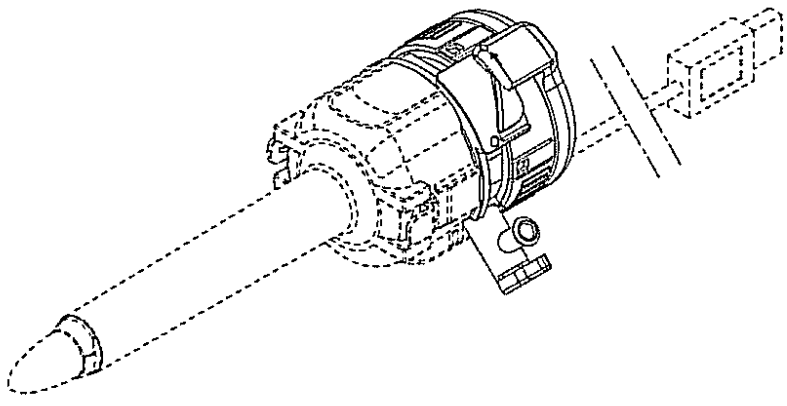
INTERNATIONAL REGISTRATION CERTIFICATE

(continued) DM/096 406

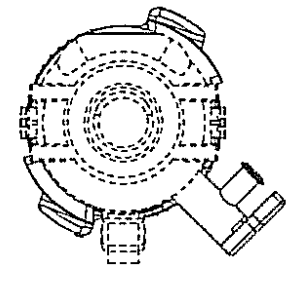
*Contracting Parties designated
under the 1999 Act* European Union

*Data relating to priority under the
Paris Convention* for designs No(s) 1: 14.11.2016; 2016-024722; Japan
for designs No(s) 2: 14.11.2016; 2016-024723; Japan

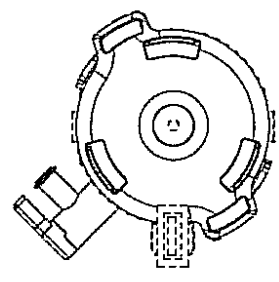
1.1
Perspective



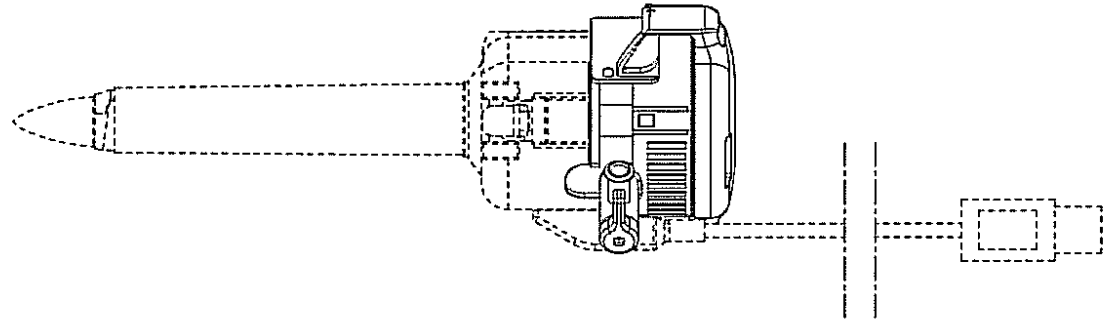
1.2
Front



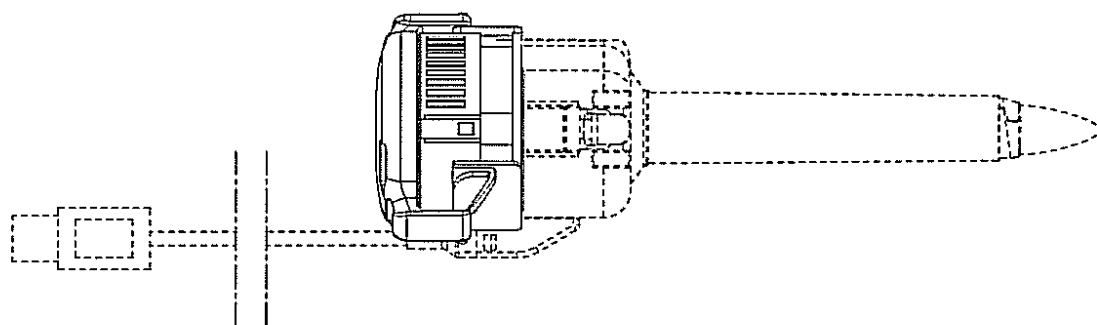
1.3
Back



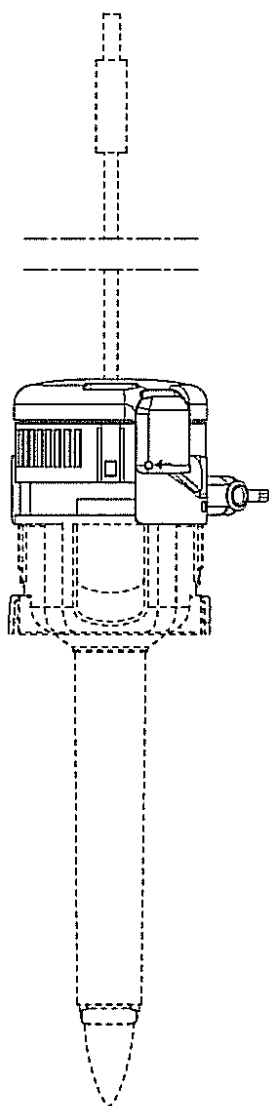
1.4
Right



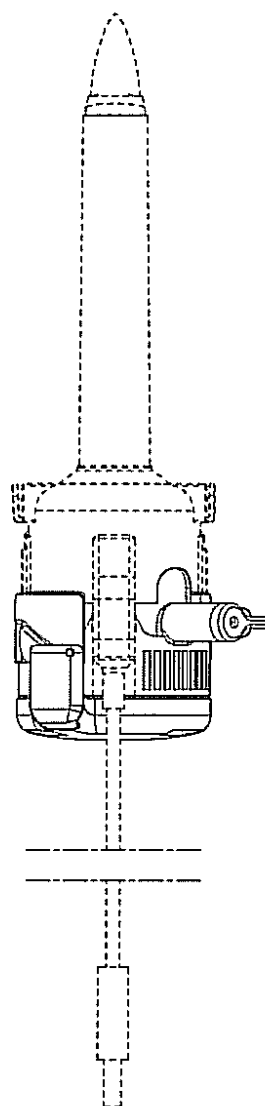
1.5
Left



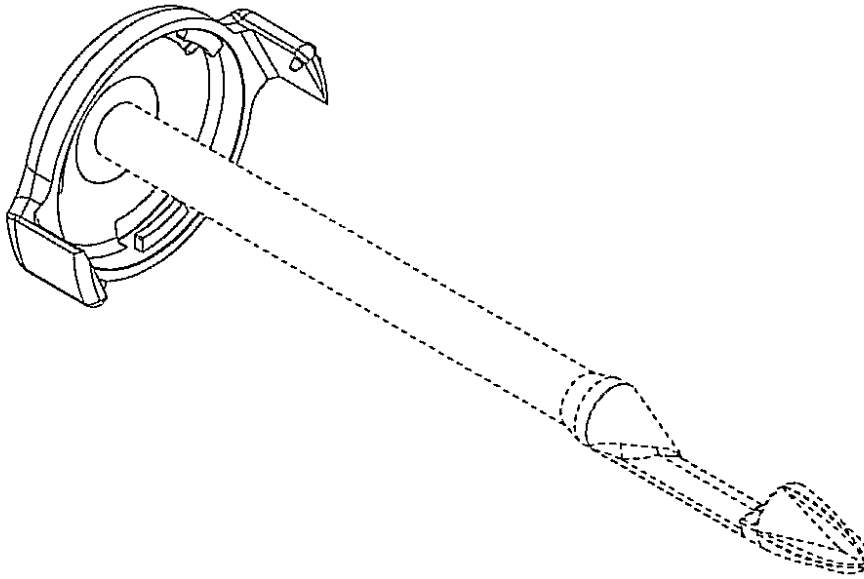
1.6
Top



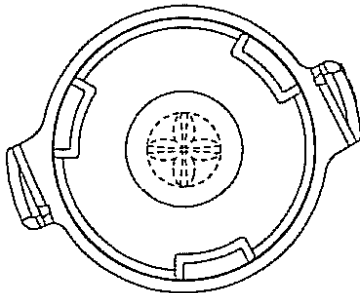
1.7
Bottom



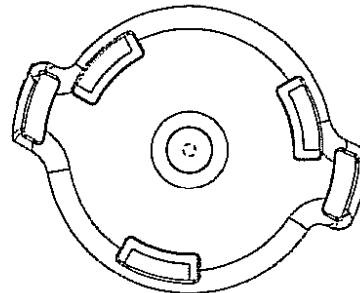
2.1
Perspective



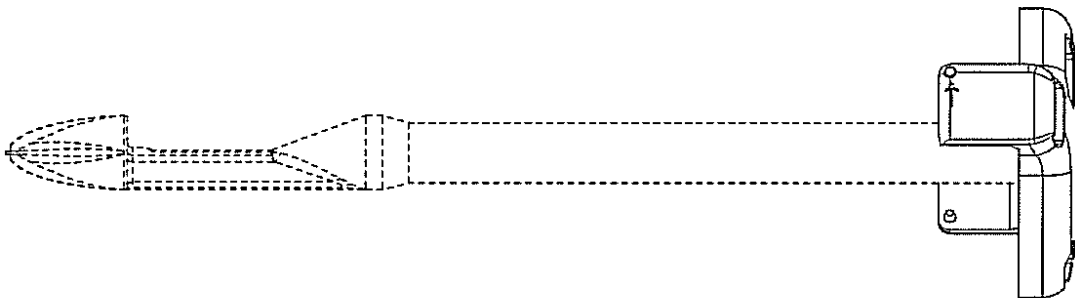
2.2
Front



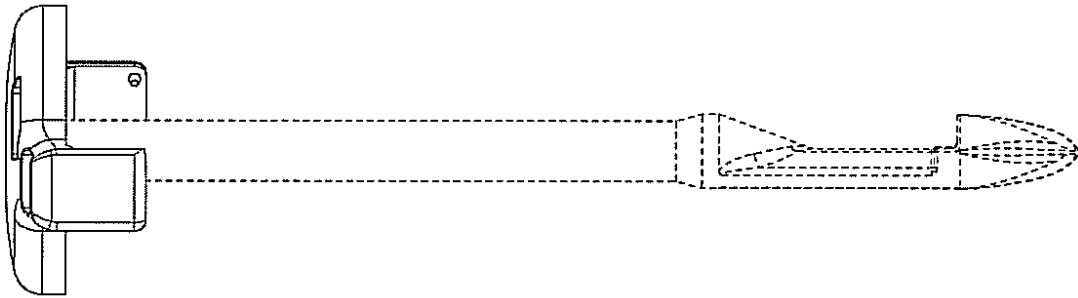
2.3
Back



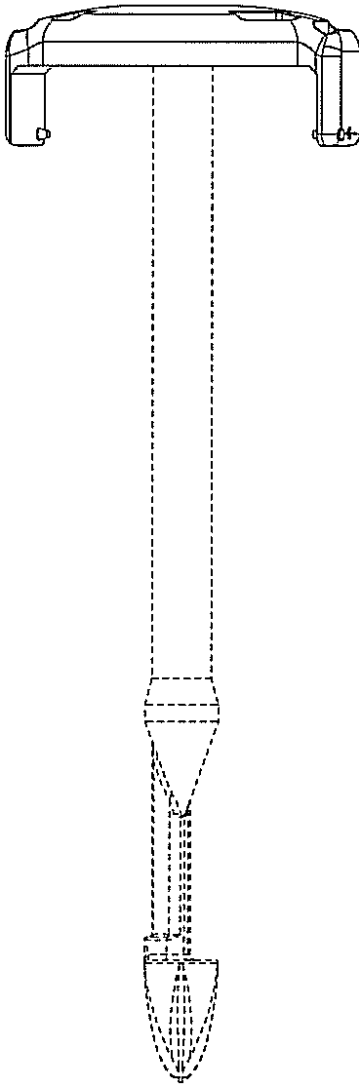
2.4
Right



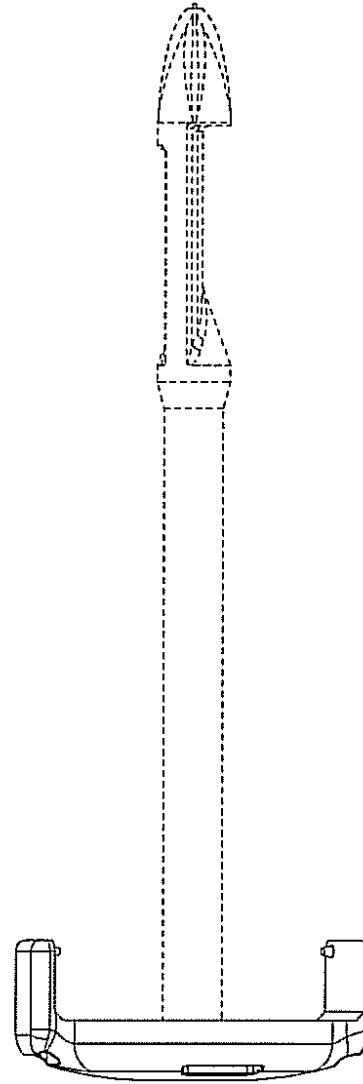
2.5
Left



2.6
Top



2.7
Bottom



Patrick CARTANT
Head, Operations Service
The Hague Registry
Brands and Designs Sector

Geneva, June 19, 2017