



US00D828560S

(12) **United States Design Patent** (10) **Patent No.:** **US D828,560 S**  
**Fujii et al.** (45) **Date of Patent:** **\*\* Sep. 11, 2018**

(54) **TROCAR HANDLE**

OTHER PUBLICATIONS

(71) Applicants: **KYOCERA Corporation**, Kyoto-shi, Kyoto (JP); **KYOCERA OPTEC Co., Ltd.**, Ome-shi, Tokyo (JP)

HC1504404800, Endoscopes for Children "Olympus New OES Pro", (Olympus Optical Co Ltd), Jan. 16, 2004, Retrieved from the Known Design Database of the Japan Patent Office using Internet, <URL:https://www.j-platpat.inpit.go.jp/web/ishou/dpdj/DPDJ\_GM301\_Detailed.action>.

(72) Inventors: **Takaharu Fujii**, Tokorozawa (JP); **Takashi Saotome**, Hamura (JP)

*Primary Examiner* — Cathron C Brooks  
*Assistant Examiner* — Samantha Q. Lawrence  
(74) *Attorney, Agent, or Firm* — Kenja IP Law PC

(73) Assignee: **KYOCERA Corporation**, Kyoto-shi, Kyoto (JP)

(\*\*) Term: **15 Years**

(21) Appl. No.: **29/603,780**

(57) **CLAIM**

(22) Filed: **May 12, 2017**

The ornamental design for a trocar handle, as shown and described.

(30) **Foreign Application Priority Data**

Nov. 14, 2016 (JP) ..... 2016-024723

(51) **LOC (11) Cl.** ..... **24-02**

(52) **U.S. Cl.**  
USPC ..... **D24/146**

(58) **Field of Classification Search**

USPC ..... D7/649; D8/93, 97, 300, 310, 311, 313; D19/110, 115; D24/146, 147, 148, 127, D24/133, 172, 173, 174, 176  
CPC .. B26B 3/00; B26B 1/10; B26B 5/005; A61B 17/089; A61B 17/1617; A61B 17/3211; A61B 17/3417; A61B 5/1411

See application file for complete search history.

**DESCRIPTION**

FIG. 1 is a front perspective view of a trocar handle showing my new design;

FIG. 2 is a front view thereof;

FIG. 3 is a rear view thereof;

FIG. 4 is a right side view thereof;

FIG. 5 is a left side view thereof;

FIG. 6 is a top view thereof; and

FIG. 7 is a bottom view thereof;

FIG. 8 is an enlarged view of a portion of the trocar handle taken in FIG. 1;

FIG. 9 is a section view taken along line 9-9 in FIG. 2; and, FIG. 10 is an enlarged section view of a portion of the trocar handle taken in FIG. 9.

The broken lines shown in FIGS. 1-2 and 4-10 illustrate portions of the trocar handle that form no part of the claimed design. The broken lines shown in FIGS. 1 and 9 illustrate call out boxes that show the areas where the enlarged portions in FIGS. 8 and 10 are taken from. The dash-dot-dash broken lines illustrate a boundary and form no part of the claimed design.

(56) **References Cited**

U.S. PATENT DOCUMENTS

D323,213 S \* 1/1992 Iacone ..... D24/127  
D630,490 S \* 1/2011 Lundstrom ..... D8/300  
D632,173 S \* 2/2011 Makita ..... D9/438

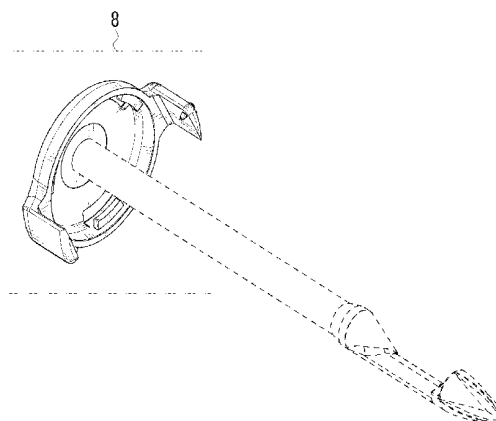
(Continued)

FOREIGN PATENT DOCUMENTS

JP 1534006 S 9/2015  
JP 2016016053 A 2/2016

(Continued)

**1 Claim, 10 Drawing Sheets**



(56) **References Cited**

U.S. PATENT DOCUMENTS

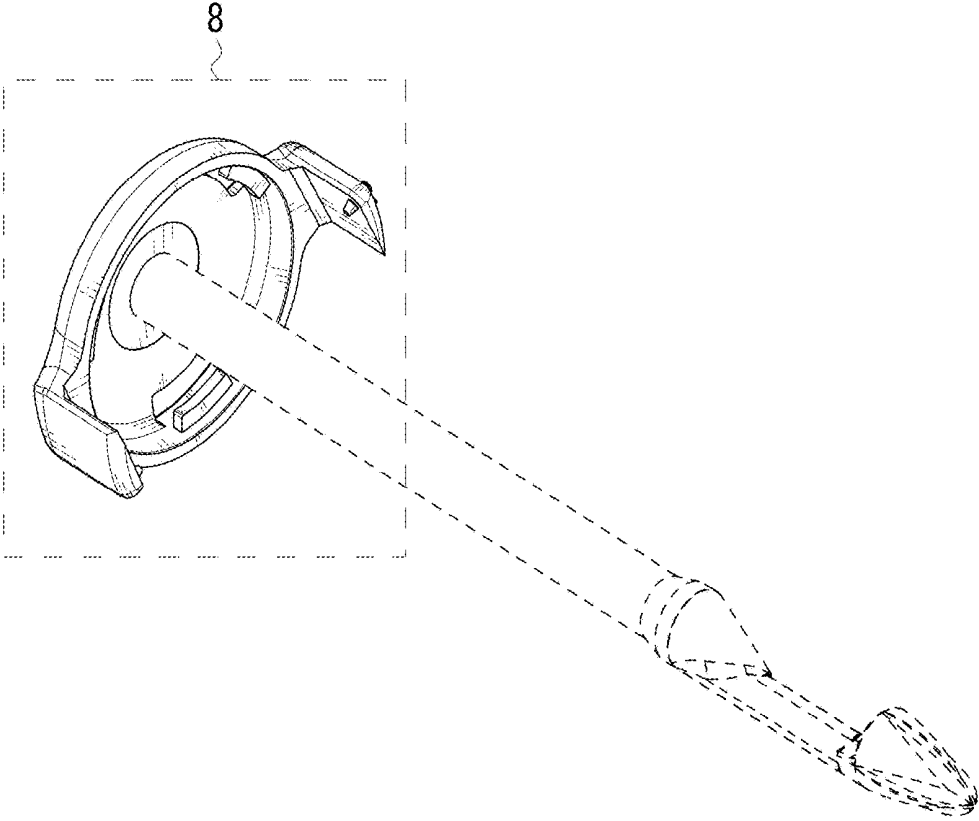
D667,554 S \* 9/2012 Casabonne ..... D24/117  
D740,420 S \* 10/2015 Spycher ..... D24/146  
D741,482 S \* 10/2015 Dowdell ..... D24/146  
D743,552 S \* 11/2015 Bronnimann ..... D24/155  
D752,746 S \* 3/2016 Teufel ..... D24/146  
D782,076 S \* 3/2017 Teufel ..... D25/146  
9,883,942 B2 \* 2/2018 Wells ..... A61F 2/2427  
2009/0270817 A1 \* 10/2009 Moreno ..... A61B 17/3462  
604/264  
2010/0016878 A1 \* 1/2010 Smith ..... A61B 17/3417  
606/185  
2011/0166575 A1 \* 7/2011 Assell ..... A61B 17/1617  
606/79

FOREIGN PATENT DOCUMENTS

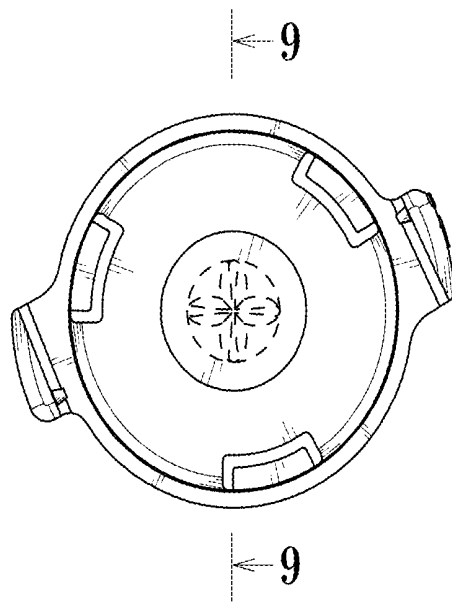
JP 1556278 S 8/2016  
JP 1556279 S 8/2016

\* cited by examiner

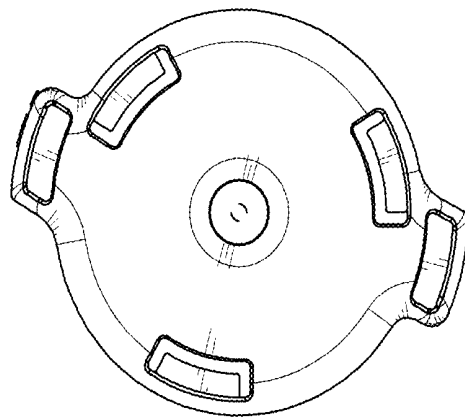
FIG. 1



*FIG. 2*



*FIG. 3*



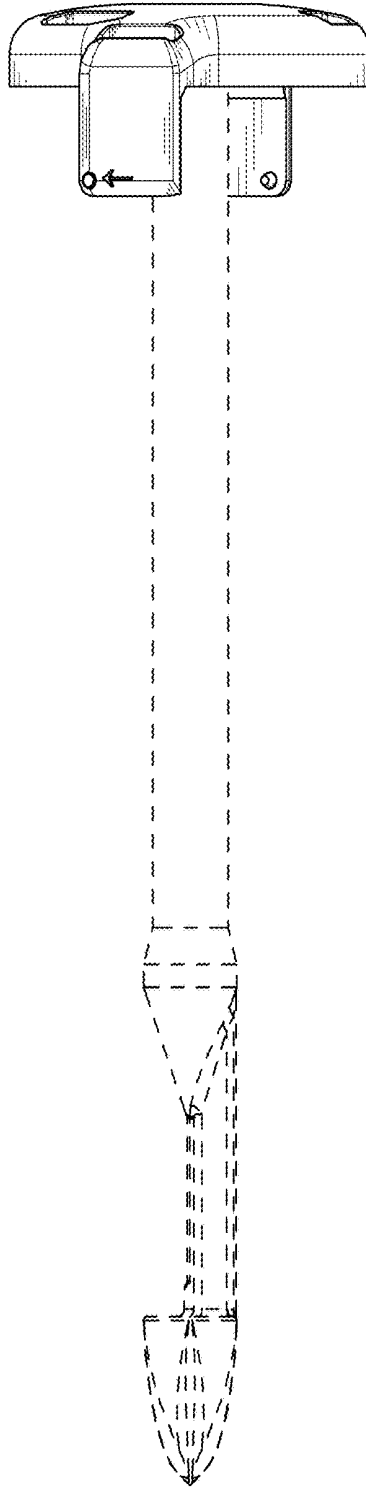
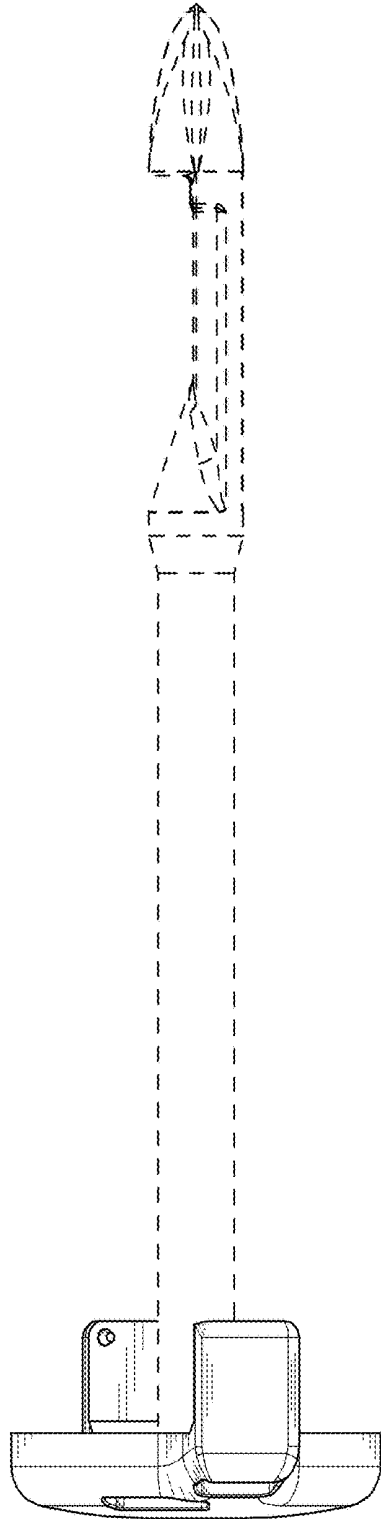
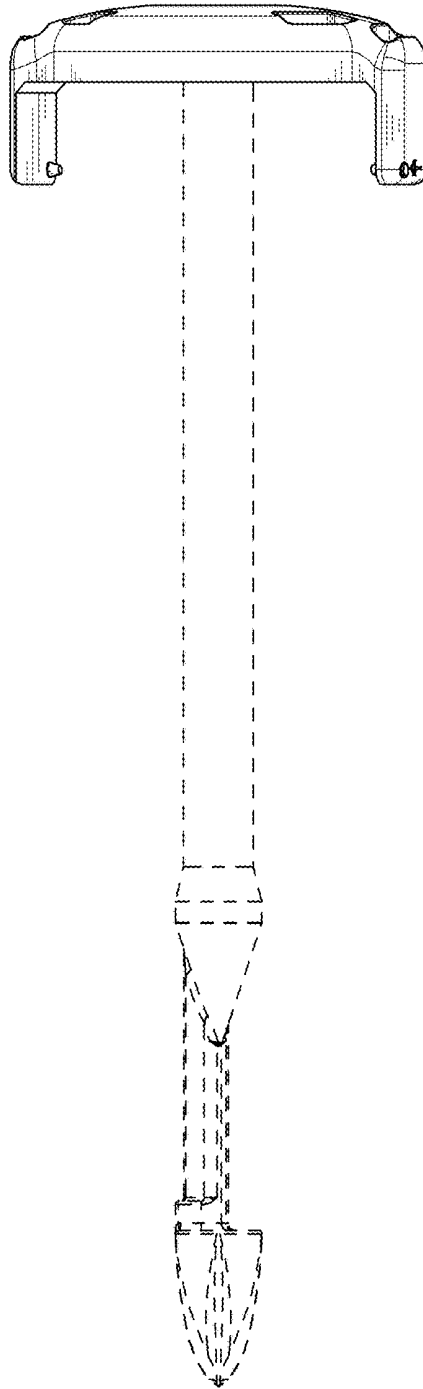


FIG. 4

*FIG. 5*

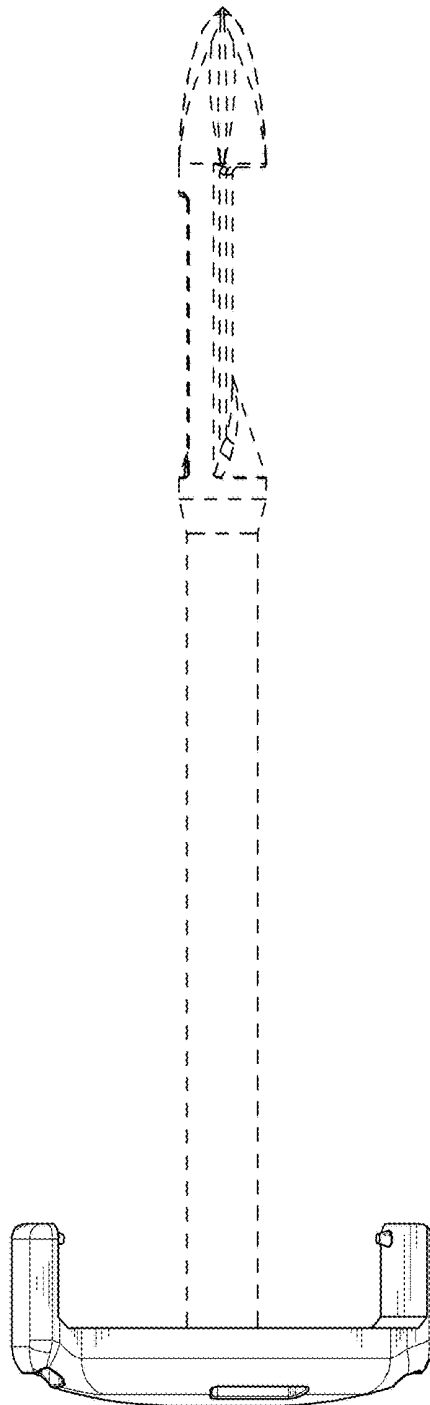


*FIG. 6*

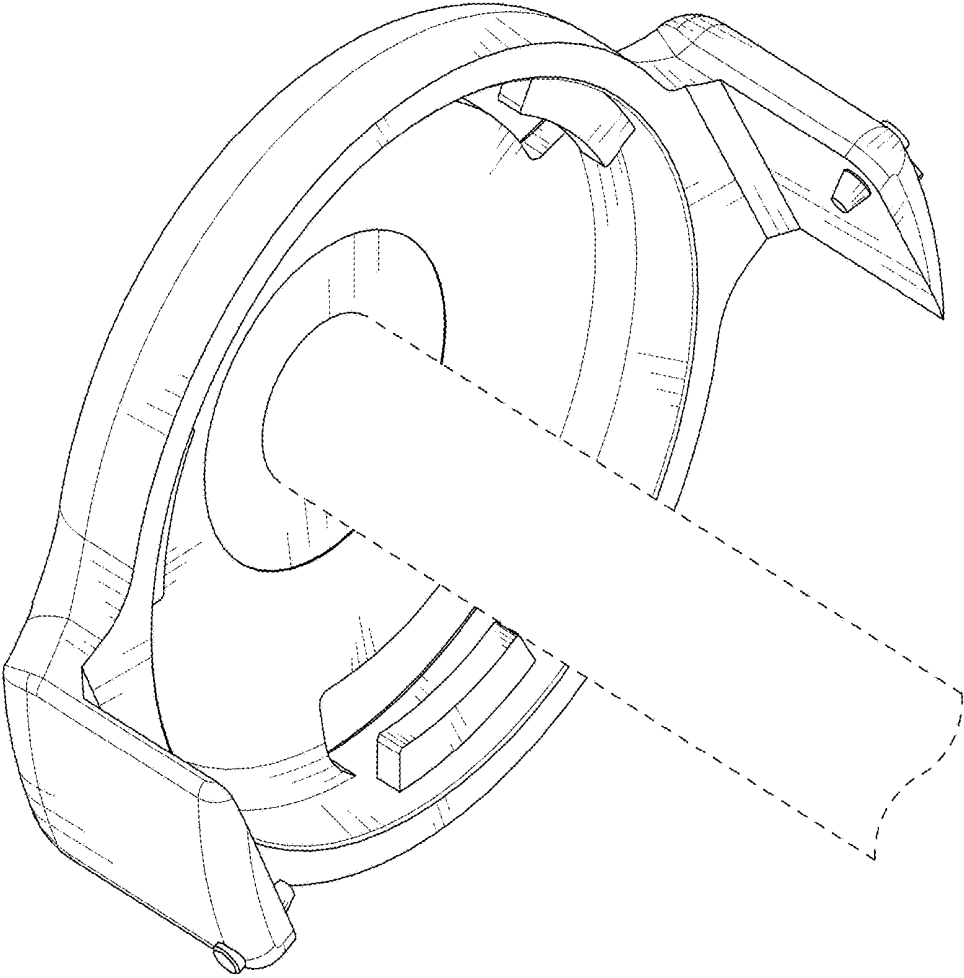




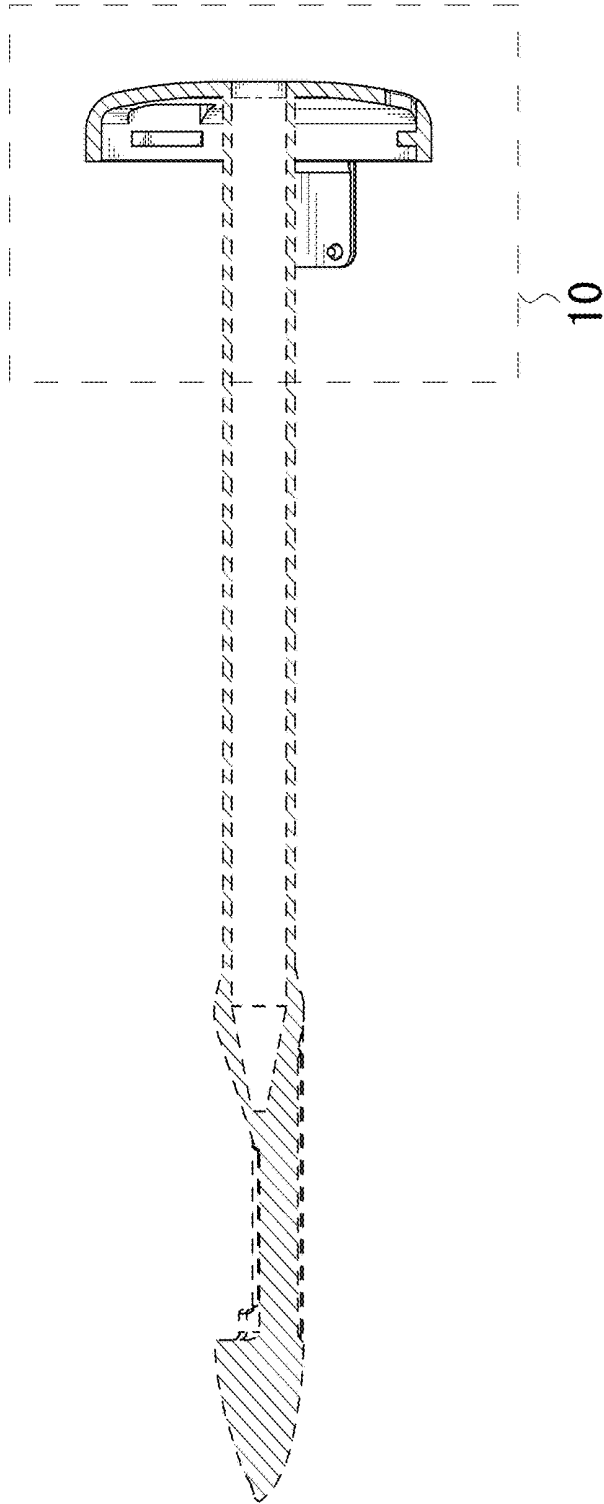
*FIG. 7*



*FIG. 8*



*FIG. 9*



*FIG. 10*

