



US00D829906S

(12) **United States Design Patent** (10) **Patent No.:** **US D829,906 S**
Fujii et al. (45) **Date of Patent:** **** Oct. 2, 2018**

(54) **TROCAR** D753,303 S * 4/2016 Dannaher D24/146
D797,288 S * 9/2017 Zhou D24/146
(71) Applicants: **KYOCERA Corporation**, Kyoto-shi, 2005/0070946 A1 * 3/2005 Franer A61B 17/3498
Kyoto (JP); **KYOCERA OPTEC Co.,** 606/185
Ltd., Ome-shi, Tokyo (JP) 2007/0185453 A1 * 8/2007 Michael A61B 17/3462
604/164.01

(Continued)

(72) Inventors: **Takaharu Fujii**, Tokorozawa (JP);
Takashi Saotome, Hamura (JP)

FOREIGN PATENT DOCUMENTS

(73) Assignees: **KYOCERA Corporation**, Kyoto-shi,
Kyoto (JP); **KYOCERA OPTEC Co.,**
Ltd., Ome-shi, Tokyo (JP)

JP 1534006 S 9/2015
JP 2016016053 A 2/2016

(Continued)

(**) Term: **15 Years**

OTHER PUBLICATIONS

(21) Appl. No.: **29/603,778**

HC1504404800, Endoscopes for Children "Olympus New OES Pro", (Olympus Optical Co Ltd), Jan. 16, 2004, Retrieved from the Known Design Database of the Japan Patent Office using Internet, <URL: https://www.j-platpat.inpit.go.jp/web/ishou/dpdj/DPDJ_GM301_Detailed.action >.

(22) Filed: **May 12, 2017**

(30) **Foreign Application Priority Data**

Nov. 14, 2016 (JP) 2016-024722

(51) **LOC (11) Cl.** **24-02**

(52) **U.S. Cl.** **D24/146**
USPC **D24/146**

(58) **Field of Classification Search**
USPC D7/649; D8/93, 97, 300, 310, 311, 313;
D19/110, 115; D24/146, 147, 148, 127,
D24/133, 172, 173, 174, 176
CPC .. B26B 3/00; B26B 1/10; B26B 5/005; A61B
17/089; A61B 17/1617; A61B 17/3211;
A61B 17/3417; A61B 5/1411
See application file for complete search history.

Primary Examiner — Cathron C Brooks

Assistant Examiner — Samantha Q. Lawrence

(74) *Attorney, Agent, or Firm* — Kenja IP Law PC

(57) **CLAIM**

The ornamental design for a trocar, as shown and described.

DESCRIPTION

FIG. 1 is a front perspective view of a trocar showing my new design;
FIG. 2 is a front view thereof;
FIG. 3 is a rear view thereof;
FIG. 4 is a right side view thereof;
FIG. 5 is a left side view thereof;
FIG. 6 is a top view thereof; and,
FIG. 7 is a bottom view thereof.

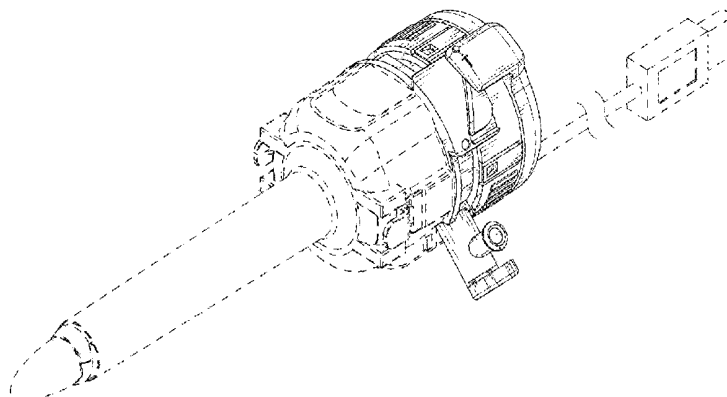
The broken lines shown in FIGS. 1-7 illustrate portions of the trocar that form no part of the claimed design.

1 Claim, 7 Drawing Sheets

(56) **References Cited**

U.S. PATENT DOCUMENTS

D541,417 S * 4/2007 Albrecht D24/146
8,206,411 B2 * 6/2012 Thompson A61B 17/3462
600/184
D700,326 S * 2/2014 Minelli D24/146
D713,033 S * 9/2014 Sauer D24/146



(56) **References Cited**

U.S. PATENT DOCUMENTS

2011/0046449 A1* 2/2011 Minnelli A61B 1/00128
600/205
2013/0237902 A1* 9/2013 McGinley A61B 17/3462
604/26

FOREIGN PATENT DOCUMENTS

JP 1556278 S 8/2016
JP 1556279 S 8/2016

* cited by examiner

FIG. 1

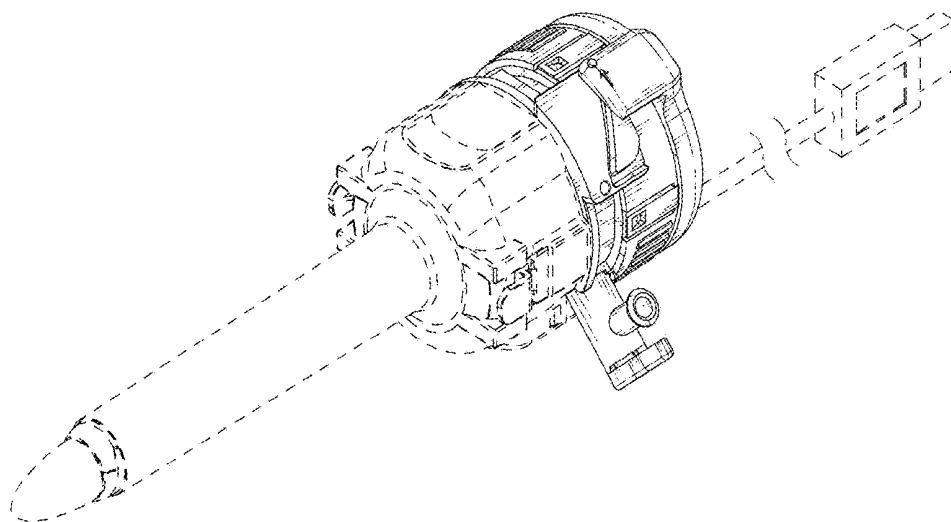


FIG. 2

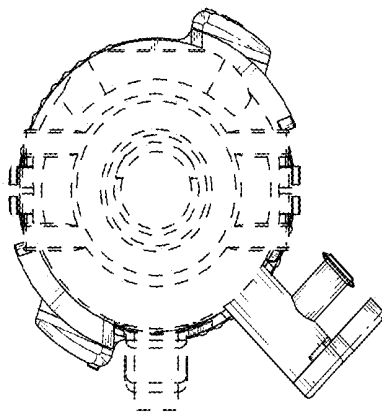


FIG. 3

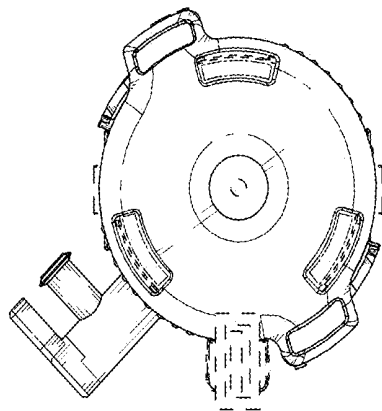


FIG. 4

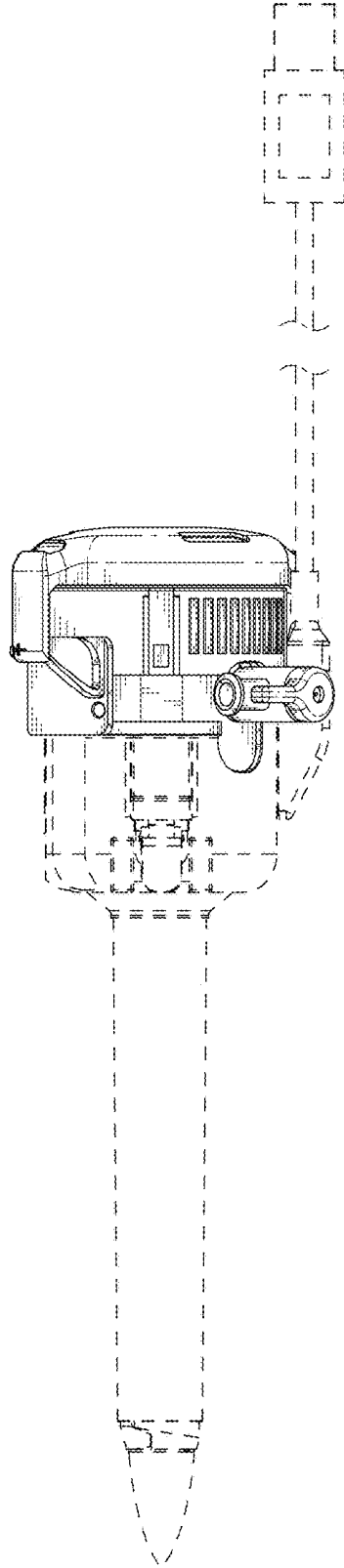


FIG. 5

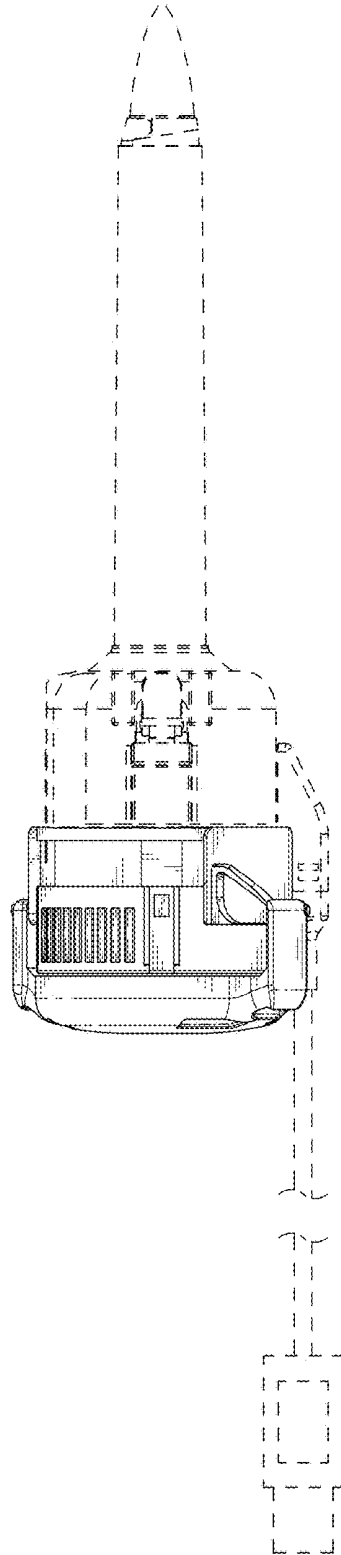


FIG. 6

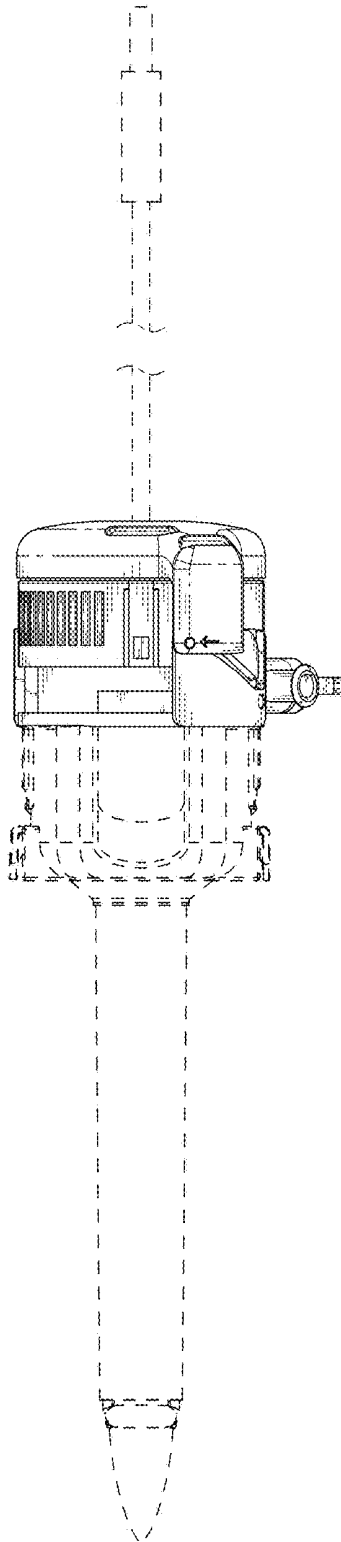


FIG. 7

