



US00D902406S

(12) **United States Design Patent** (10) **Patent No.:** **US D902,406 S**
Fujii et al. (45) **Date of Patent:** **** Nov. 17, 2020**

(54) **TROCAR**
(71) Applicant: **KYOCERA CORPORATION**, Kyoto (JP)
(72) Inventors: **Takaharu Fujii**, Kyoto (JP); **Takashi Saotome**, Kyoto (JP); **Hiroki Taoka**, Kyoto (JP)
(73) Assignee: **Kyocera Corporation**, Kyoto (JP)
(**) Term: **15 Years**
(21) Appl. No.: **29/662,216**
(22) Filed: **Sep. 4, 2018**

D774,192 S * 12/2016 Fuchs D24/146
D779,671 S * 2/2017 Fuchs D24/147
D782,076 S * 3/2017 Teufel D25/146
D785,175 S * 4/2017 Zhou D24/146
D790,700 S * 6/2017 Zhou D24/146
D794,791 S * 8/2017 Zhou D24/146
D797,288 S 9/2017 Zhou et al.
D797,289 S * 9/2017 Zhou D24/146
D800,307 S * 10/2017 DeNeui D24/146
D813,389 S * 3/2018 Zhou D24/146

(Continued)

Primary Examiner — George D. Kirschbaum
(74) *Attorney, Agent, or Firm* — Volpe Koenig

(57) **CLAIM**

The ornamental design for trocar, as shown and described.

Related U.S. Application Data

(63) Continuation-in-part of application No. 35/502,437, filed on Aug. 15, 2016 (U.S. filing date under 35 U.S.C. 384), and having an international filing date of Aug. 15, 2016, now abandoned.

Foreign Application Priority Data

Feb. 17, 2016 (JP) 2016-003371

(51) **LOC (12) Cl.** **24-02**

(52) **U.S. Cl.**
USPC **D24/146**

(58) **Field of Classification Search**
USPC D24/146, 147
See application file for complete search history.

References Cited

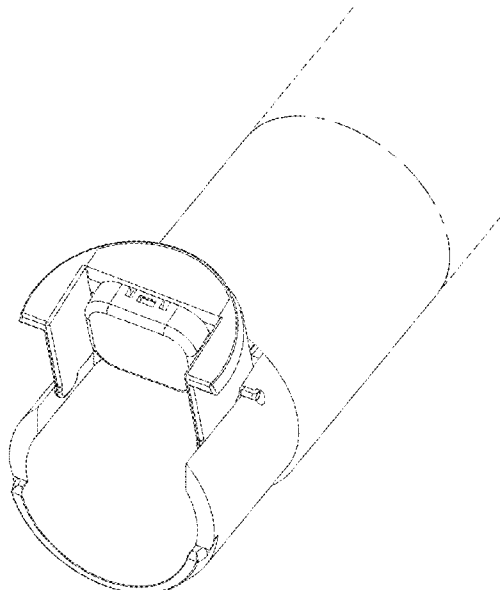
U.S. PATENT DOCUMENTS

D538,429 S 3/2007 Wolf
D735,331 S 7/2015 Mastri et al.
D737,442 S 8/2015 Hasebe
D753,303 S * 4/2016 Dannaher D24/146

DESCRIPTION

FIG. 1.1: Front
FIG. 1.2: Right
FIG. 1.3: Left
FIG. 1.4: Top
FIG. 1.5: Bottom
FIG. 1.6: Perspective
FIG. 1.7: Front
FIG. 1.8: Right
FIG. 1.9: Left
FIG. 1.10: Top
FIG. 1.11: Bottom
FIG. 1.12: Perspective
FIG. 1.13: Enlarged front view of No. 1.7
FIG. 1.14: Enlarged right view of the front end portion
FIG. 1.15: Enlarged top view of the front end portion
FIG. 1.16: Enlarged perspective view of the top end portion; and,
FIG. 1.17: Reference view showing state in use.
The broken lines depict unclaimed environmental subject matter.

1 Claim, 17 Drawing Sheets



(56)

References Cited

U.S. PATENT DOCUMENTS

D814,035	S	*	3/2018	Fuchs	D24/147
D814,036	S	*	3/2018	Fuchs	D24/147
D828,560	S	*	9/2018	Fujii	D24/146
D829,906	S	*	10/2018	Fujii	D24/146
D842,473	S	*	3/2019	Fuchs	D24/147

* cited by examiner

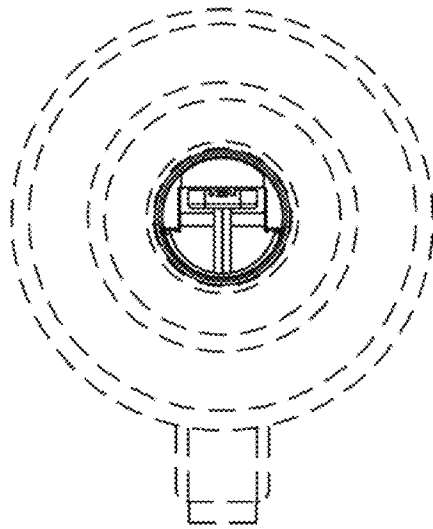


FIG. 1

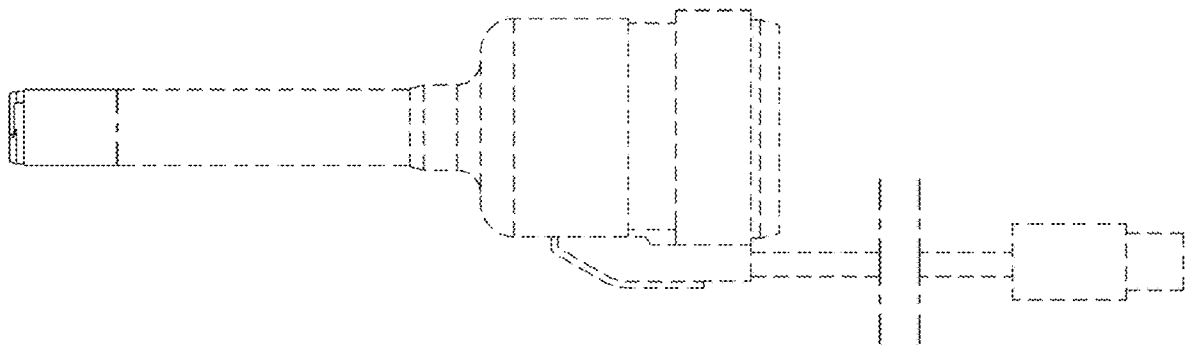


FIG. 2

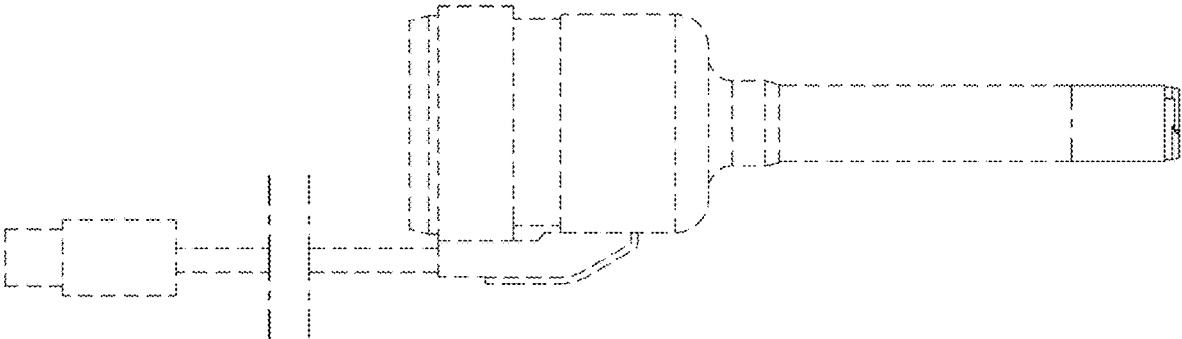


FIG. 3

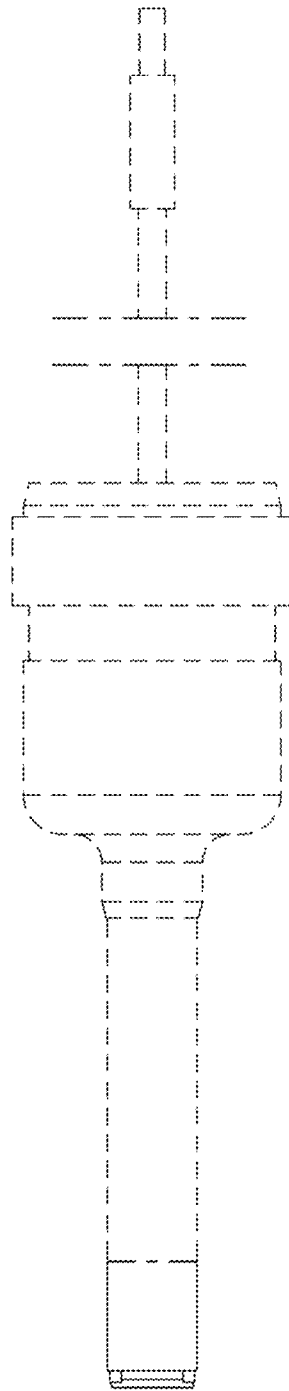


FIG. 4

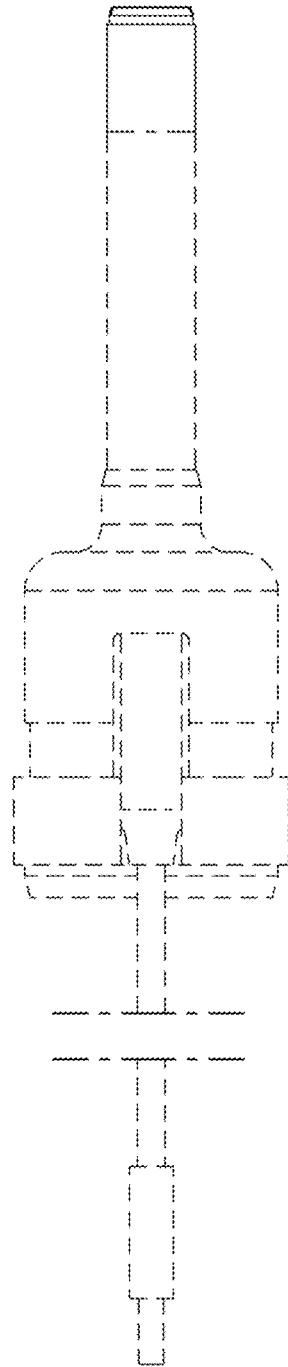


FIG. 5

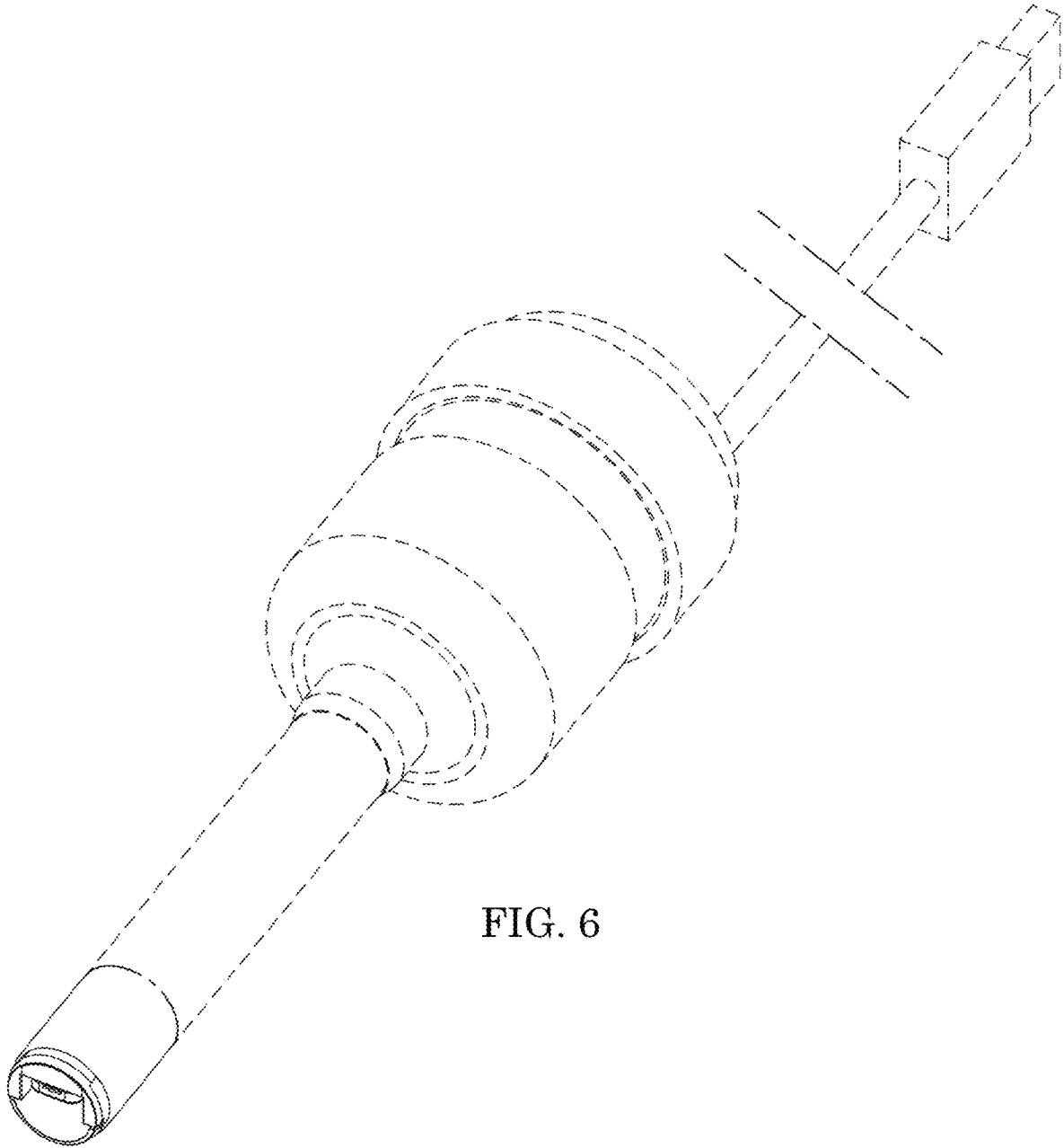


FIG. 6

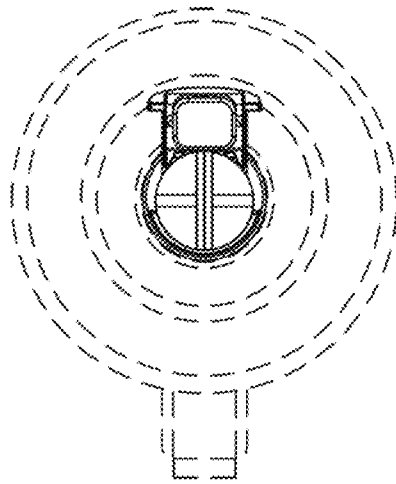


FIG. 7

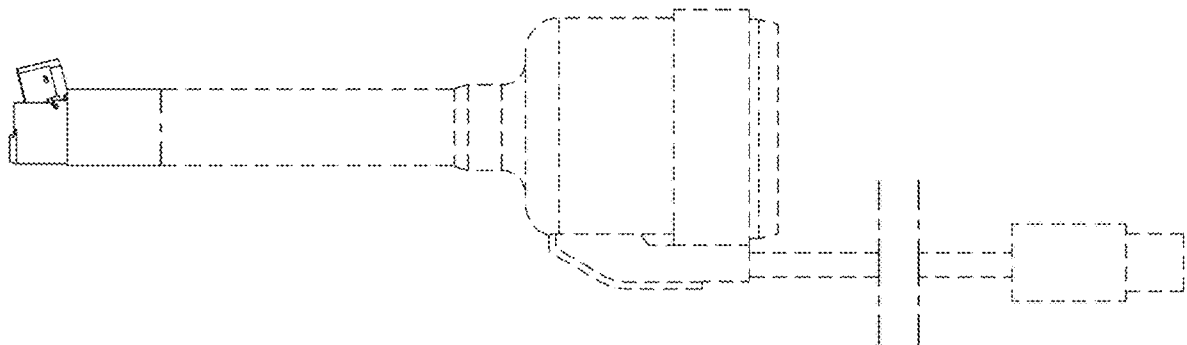


FIG. 8

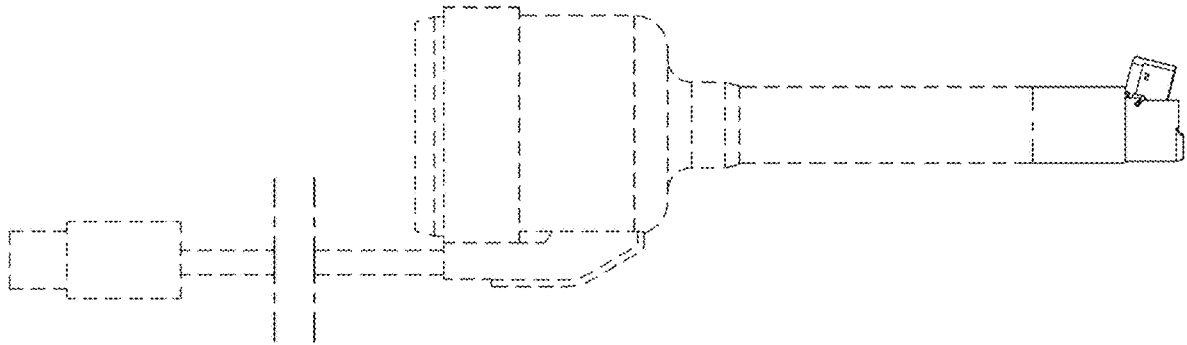


FIG. 9

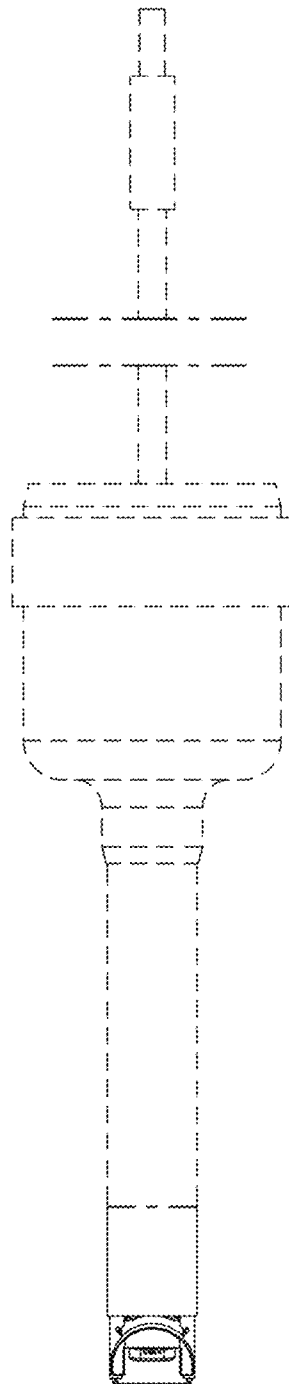


FIG. 10

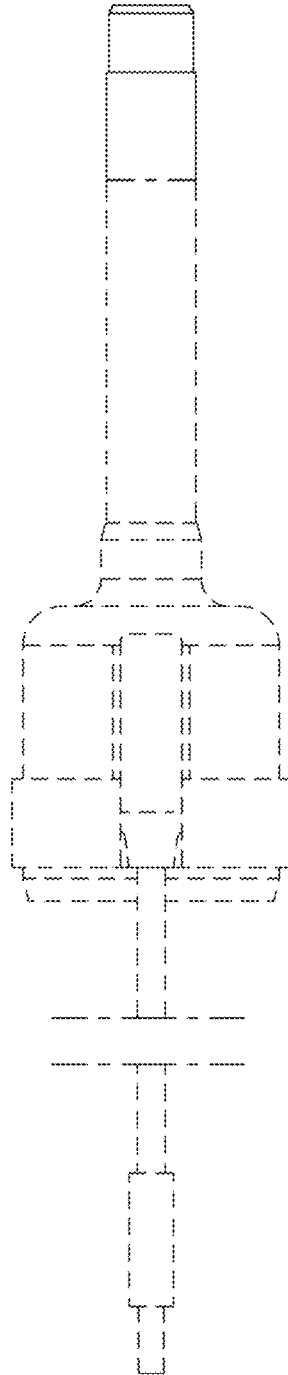


FIG. 11

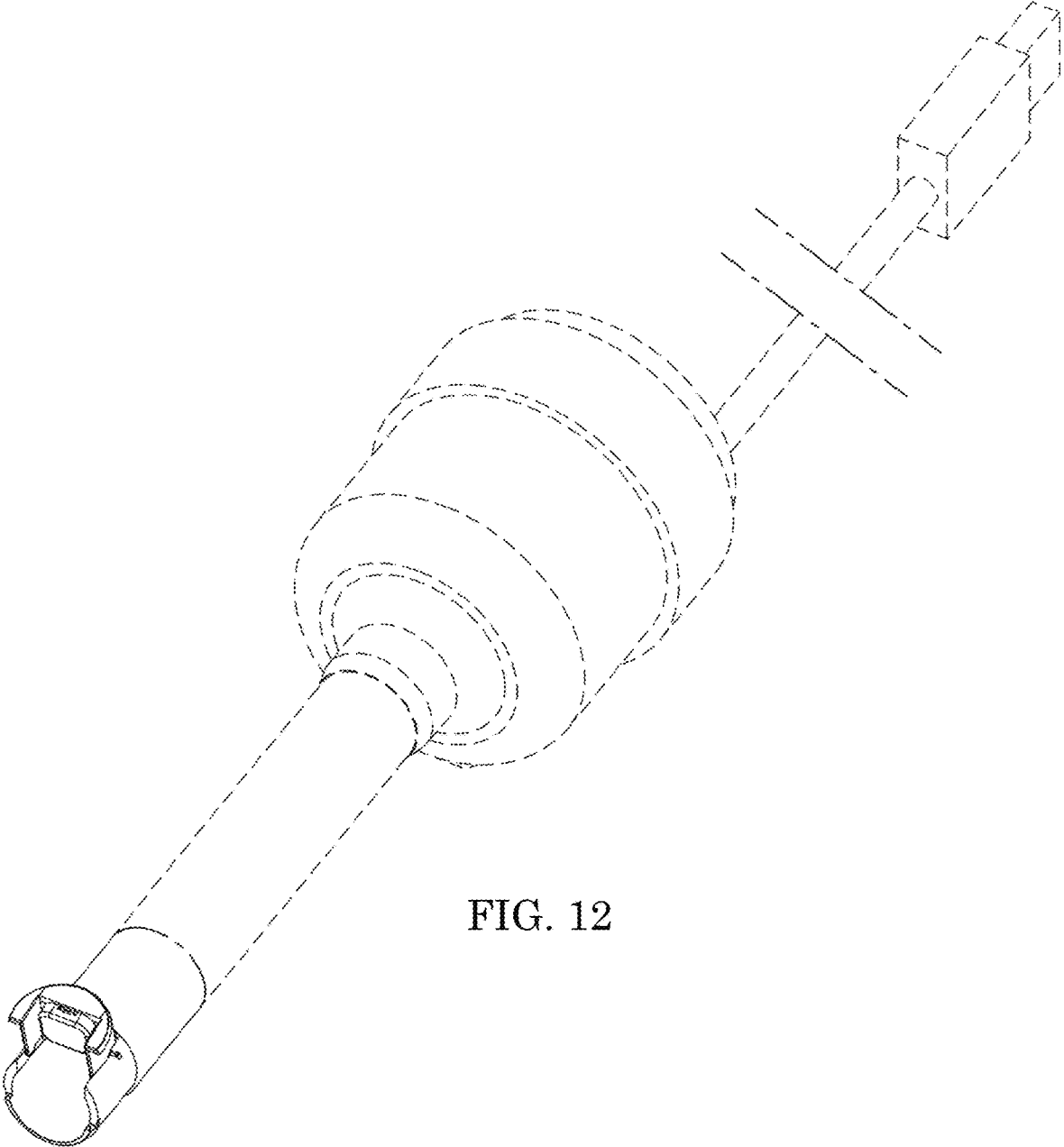


FIG. 12

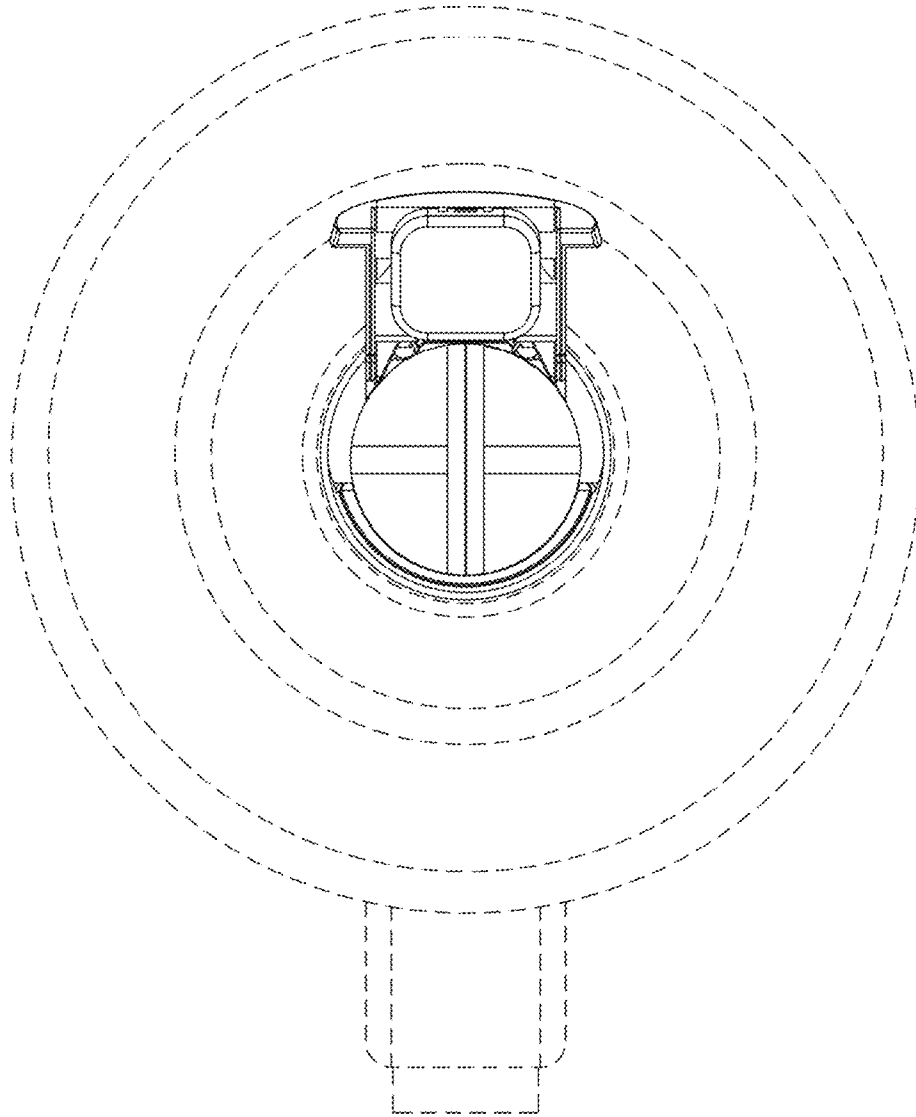


FIG. 13

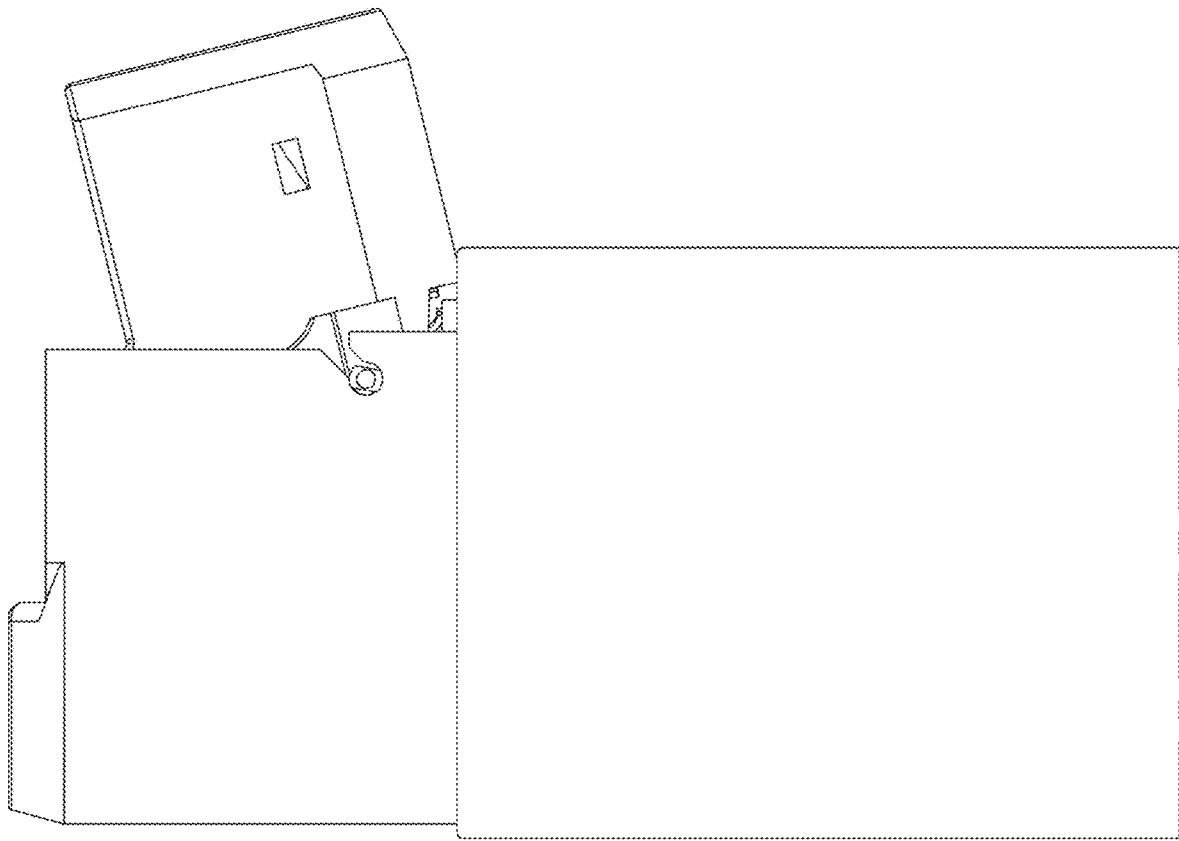


FIG. 14

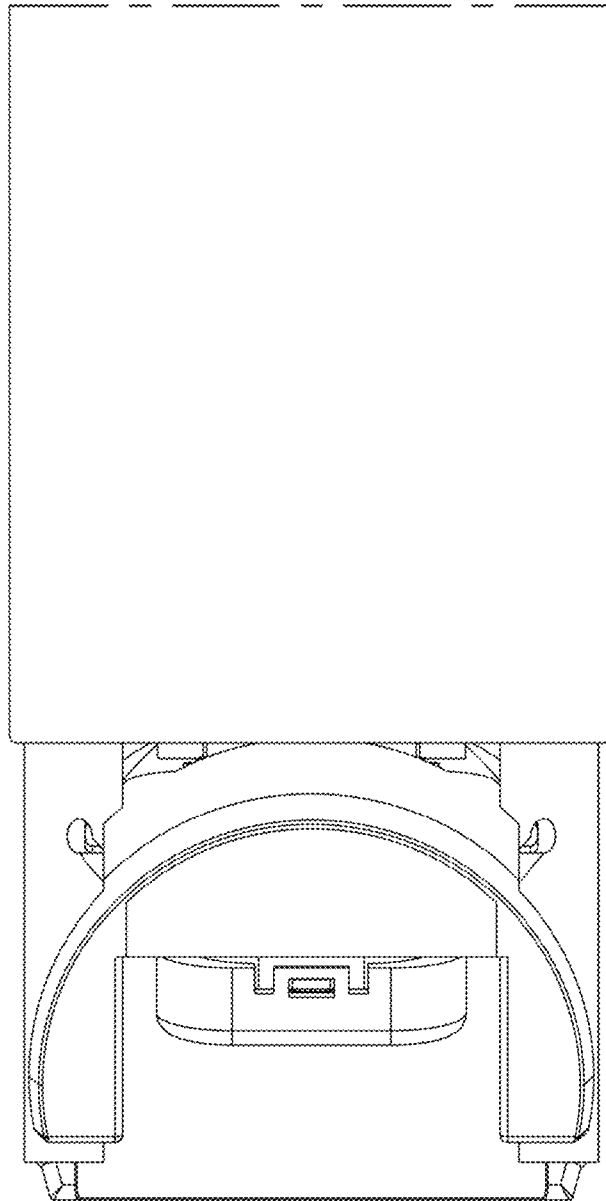


FIG. 15

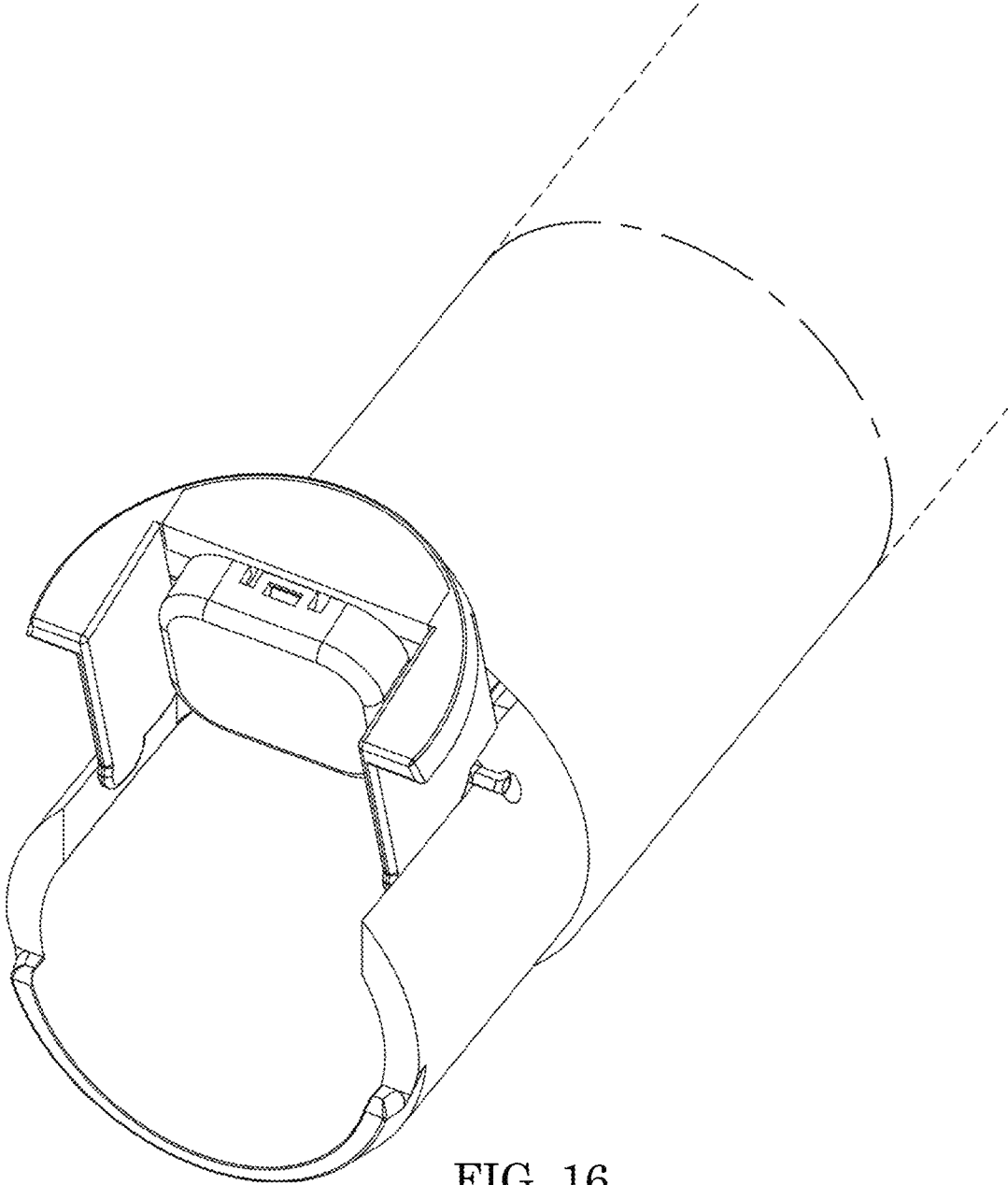


FIG. 16

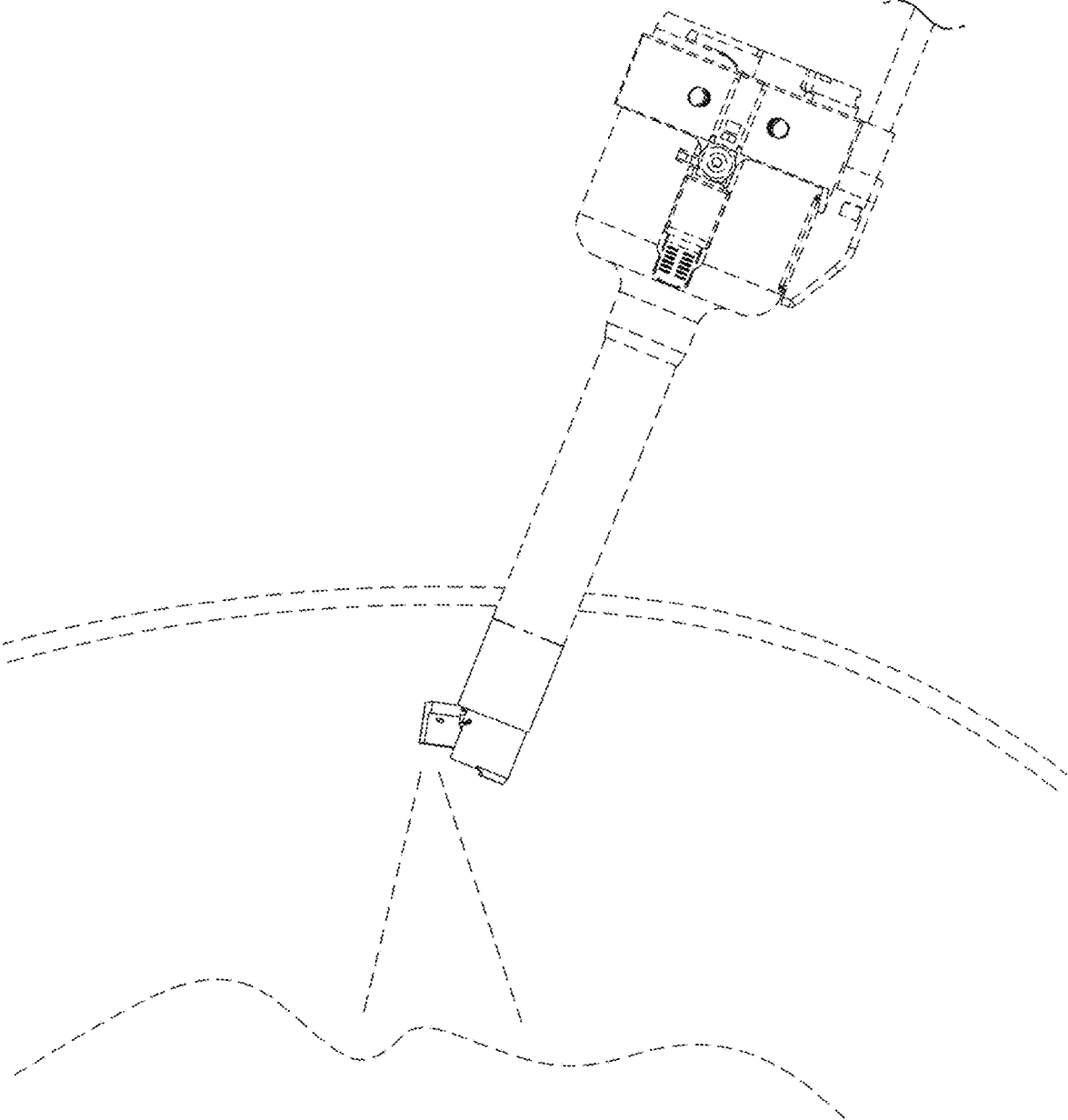


FIG. 17